



T: 1300 240 298

E: info@pool-lift.com.au

www.pool-lift.com.au

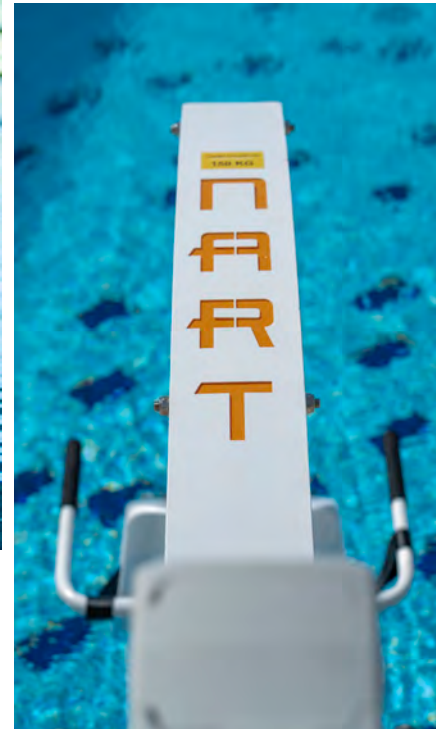
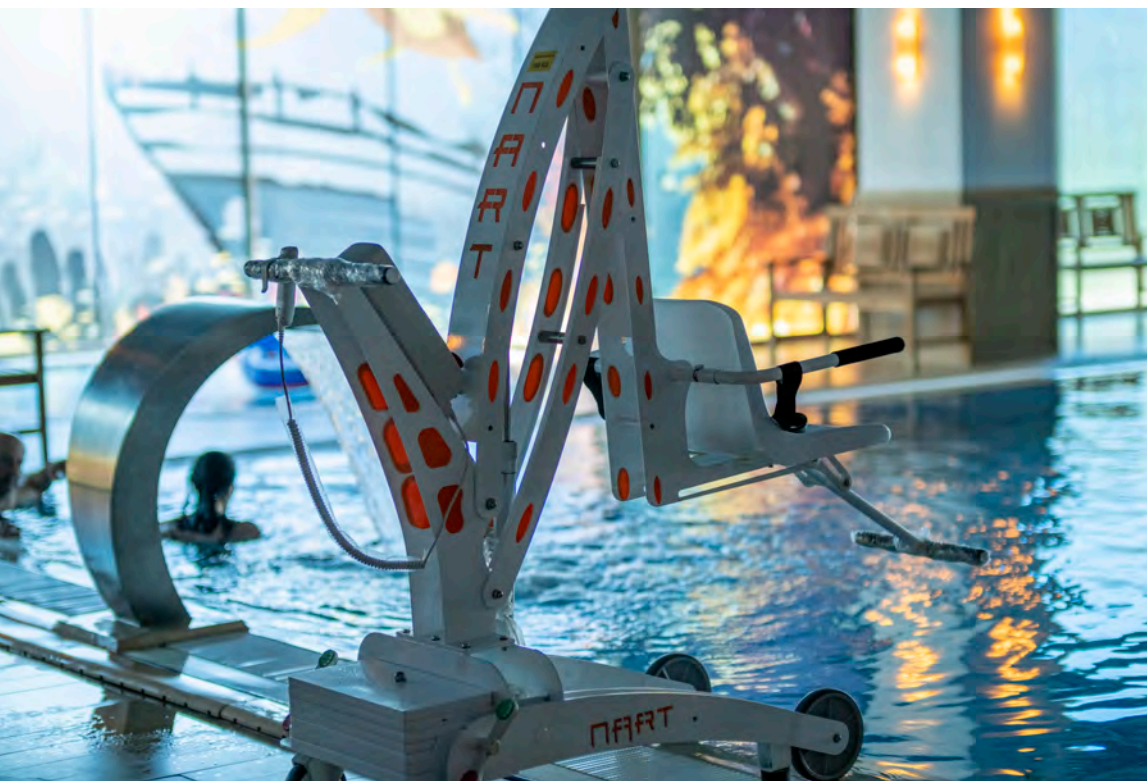
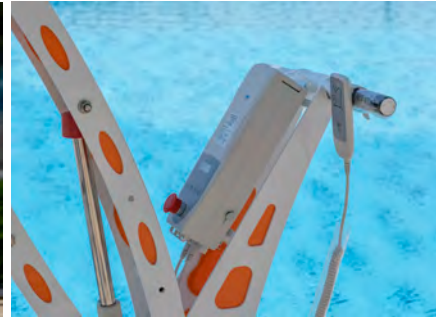


FREELIFT

Mobile Pool Lift

Certifications and Patent

- Directive 93/42/EEC - Medical Devices - DM 1641494/R
- Directive 2006/42/EC - Machinery Directive
- Directive 2004/108/EC - EMC Electromagnetic Compatibility
- UNI EN ISO 10535 Certification



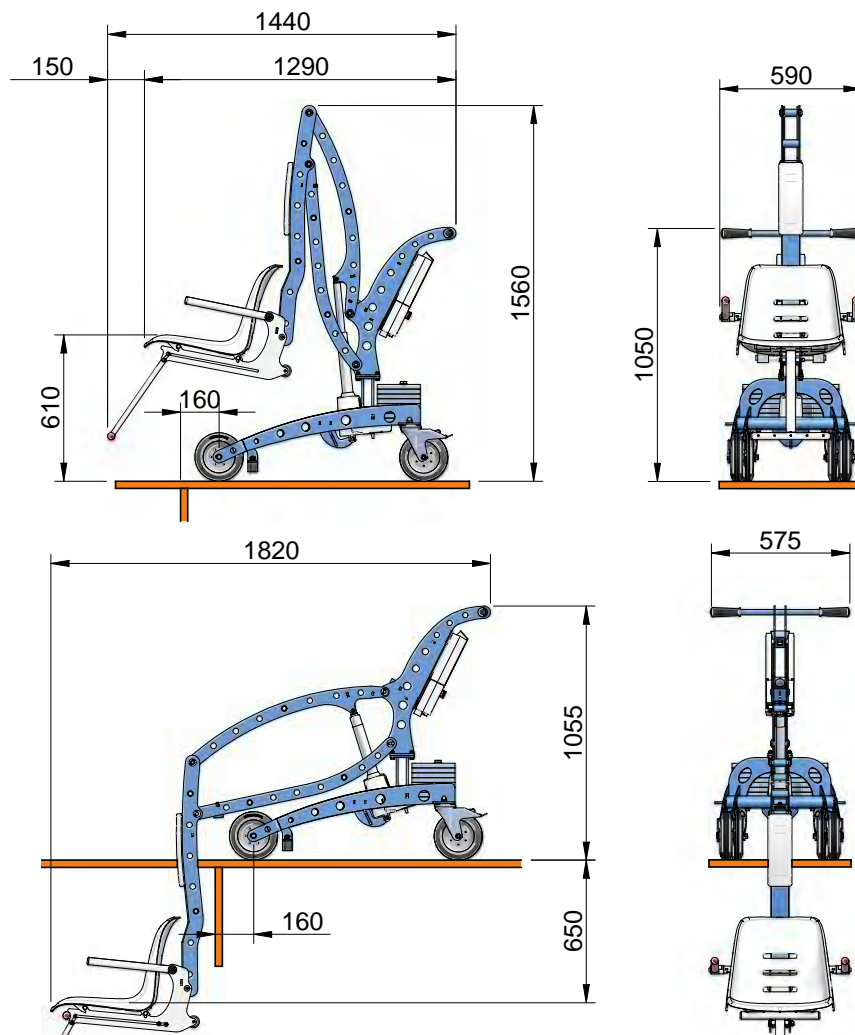
FREELIFT It's designed to solve the problems related to water accessibility in a cost-effective way. Pool Lift Australia focused on the ESSENTIAL elements to ensure good performance in terms of **reliability** and **safety** for the users at a reasonable cost.



Specifications

- There is an emergency button.
- Water resistant control.
- It can also be controlled from the power unit (in case of a malfunction).
- Detachable and rechargeable battery
- The battery has a charge indicator (both on the device and on the charger)
- Wheels suitable for wet surfaces (water-resistant wheels with soft rubber coated and closed type bearings)
- Stroke length is 1250 mm. (610 mm above water 640 mm in water)
- Adjustable seat mechanism so that in-water and above-water distances can be adjusted according to user request. (± 100 mm)
- Vacuum emergency stoppers are located behind the front wheels.
- The rear wheels have brakes. In this way, the device is provided to remain more stable while lifting and possible accidents are prevented.
- The device battery can be charged with 220 Volts.
- The device is 24 Volts. This low voltage feature ensures safe operation on wet surfaces.
- It has a lifting capacity of 135 kg.
- The weight of the device is 200 kg.
- It has a water-repellent seat suitable for wet use.
- Body is made of ST-52 steel and zinc plated and painted with electrostatic paint.
- The parts entering the water are 304 stainless steel and coated with electrostatic paint.
- Landing time to the pool is 45 seconds.
- The exit time from the pool is 55 seconds.

Measurements



T: 1300 240 298

E: info@pool-lift.com.au

www.pool-lift.com.au